



# SC315

RECTANGULAR RAPID FLASHING BEACON

Pedestrian-actuated warning system for uncontrolled marked crosswalks

Available in both AC and solar power models, the SC315 brings new capabilities to the Carmanah RRFB product line:

- Audible push button support
- Solar-power performance even in partial- shaded applications
- Use both solar and AC power models in the same application

RRFBs have been found to provide vehicle yielding rates between 72 and 96 percent for crosswalk applications, including 4 lane roadways with average daily traffic (ADT) exceeding 12,000\*.

## Advanced User-Interface

The SC315 features an on-board user interface and display for quick configuration and status monitoring. It allows for simple in-the-field set-up adjustment to flash duration, ambient settings, and night intensity. Settings are broadcasted automatically to all units in the system.

## Simplified Installation

All components, including the battery or AC power supply, Energy Management System (EMS) and optional audible push button controller are housed in one compact, purpose-built enclosure. The system also incorporates a wire routing and termination system for clean and efficient installation.

## Compatibility

Compatible with the Carmanah R920 RRFB. Interchange solar and AC power models within the same application.

## Trusted

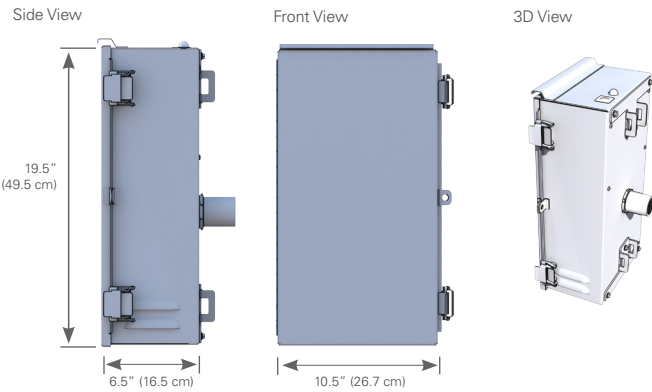
With thousands of installations in the field, Carmanah solar beacons and solar LED lights have become the benchmark in traffic applications and other transportation applications worldwide.



REPRESENTED IN YOUR REGION BY:

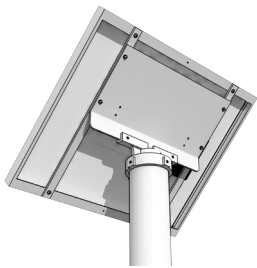
\* U.S. Department of Transportation Federal Highways Administration, Publication No. FHWA-HRT-10-043 - "Effects of Yellow Rectangular Rapid-Flashing Beacons on Yielding at Multilane Uncontrolled Crosswalks"

## CABINET DIMENSIONS

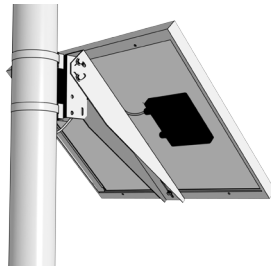


## PANEL MOUNTING OPTIONS

Top of Pole Configuration:  
4" - 4 1/2" Diameter Round Post Mount

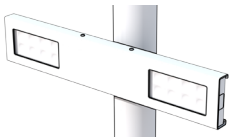


Side of Pole Configuration:  
4" - 4 1/2" Diameter Round Post Mount

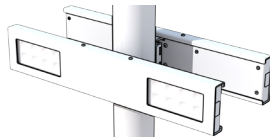


## SYSTEM CONFIGURATION

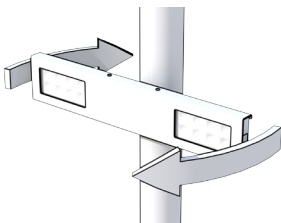
Uni-directional Configuration



Bi-directional Configuration



## IN THE FIELD AIMING



Rotate the lightbar towards the incoming vehicle lane, independent of the wire hole location.

## RRFB CAPACITY CALCULATOR

Calculate the performance of our Rectangular Rapid Flashing Beacon in your location with our RRFB Capacity Calculator.

[carmanah.com/RRFB-calculator](http://carmanah.com/RRFB-calculator)



The management system governing the manufacture of this product is ISO 9001:2008 certified.

Specifications subject to local environmental conditions. Specifications may be subject to change.

US Patent No 6,573,659, Other patents pending. "Carmanah" and Carmanah logo are trademarks of Carmanah Technologies Corp. © 2015, Carmanah Technologies Corp. Document: SPC\_TRAF\_SC315\_RevK

# SC315

24-HOUR SOLAR FLASHING BEACON

On-Board User Interface (OBUi)	Adjustable, auto-scrolling LED display
	Field-configurable flash duration to one second increment
	Ambient auto-adjust configuration
	Night dimming configuration
	Wireless update of configurable settings from any unit to all systems
	Channel selection
	System test, status and fault detection
	Activation data reporting
	MUTCD IA-11 compliant flash pattern
	3" x 7" amber LED indications
Optical	Side emitting pedestrian confirmation lights
	Exceeds SAE J595 class 1 intensity
	Meets SAE J578 chromaticity
	High-power LEDs meets 90% lumen maintenance (L90) based on IES LM-80
AC Power Interface (AC Model)	Cable management bracket
	90-264 VAC input
	On-board AC-DC power supply
Energy (Solar Model)	45 watt high-efficiency photovoltaic cell with bypass diodes
	Maximum Power Point Tracking with temperature compensation (MPPT-TC) for optimal energy collection in all solar conditions
Energy Storage (Solar Model)	Replaceable, recyclable best in-class 12V dual battery system (sealed, maintenance-free)
	Designed for minimum 5 year battery life
Enclosure Construction	Aluminum housing with lockable tamper-proof hinged door
	Integrated mounting for optional voice message push button controller
	Side of pole mounting to 4" diameter or larger poles
Lightbar Construction	Premium, UV-resistant polycarbonate lens
	Waterproof LED Indications (NEMA 3R)
	Two-piece mounting bracket to facilitate mounting back-to-back lightbars
	Horizontal rotation adjustment for in-the-field aiming of lightbar
Operating Performance	Dimensions: 24" L x 1.5" W x 4.5" H (61.0 cm L x 3.8 cm W x 11.4 cm H)
	Rated for 660, 20 second activations per day, year-round operation with a minimum of 0.94 sun hours
	Wireless activation within 150 mS
Pedestrian Activation	Wireless range of 500 ft (152 m)
	ADA compliant, Piezo-driven push button with two-tone audible and visual LED confirmation
Warranty	Optional push-button with voice message & visual LED confirmation
	3-year limited warranty

