

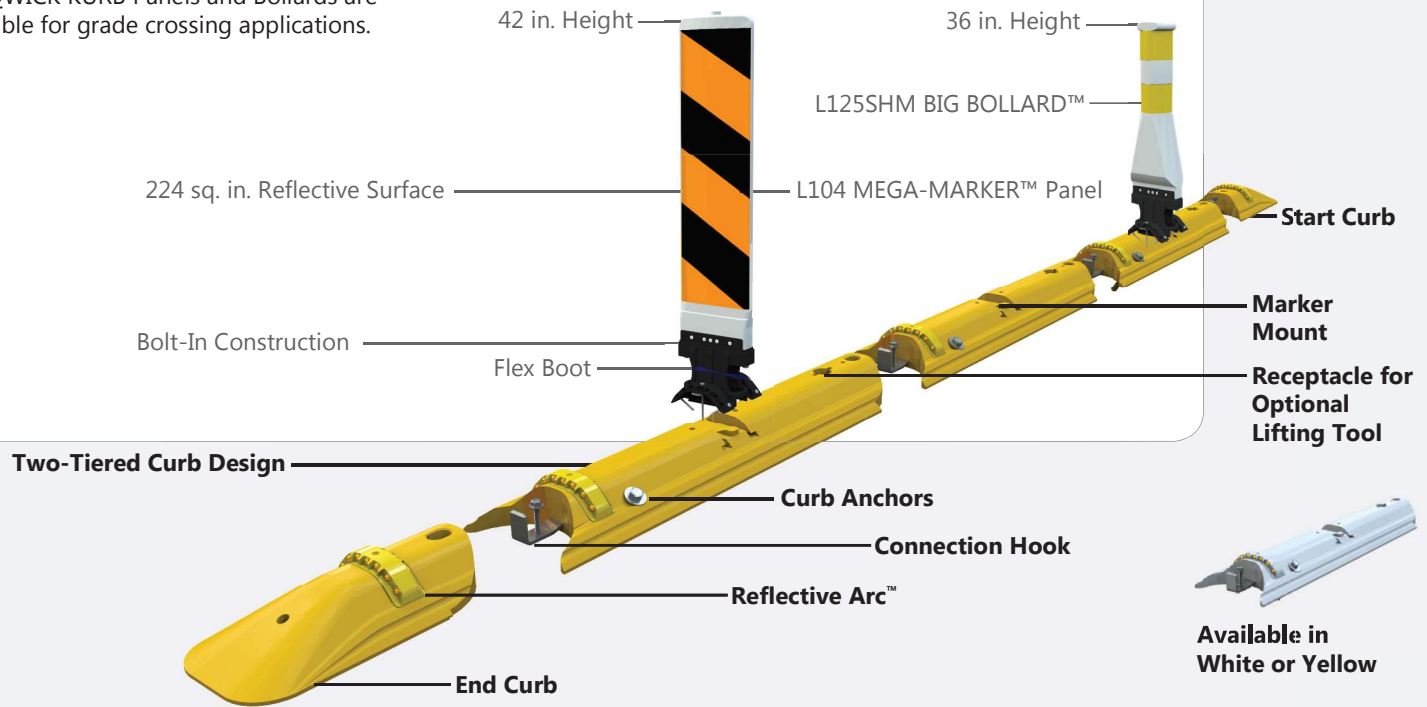


**GRADE CROSSING
CONTINUOUS CURBING
AND CHANNELIZING SYSTEM**

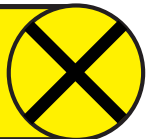
QWICK KURB[®]
CHANNELIZING SYSTEMS

Choose from multiple marker configurations.

All QWICK KURB Panels and Bollards are suitable for grade crossing applications.



When the QWICK KURB System is installed between yellow lines in a median at a grade crossing intersection, motorists are discouraged from driving around an active railroad gate.



USED EXTENSIVELY IN THE HARSHTEST ENVIRONMENTS

QWICK KURB® MEGA MARKER™ Panels and Continuous Curbing have been tested for over 20 years in all weather conditions. Panels can accept up to 224 square inches of reflective sheeting per side to achieve the highest level of night visibility. In addition, the unique two-part vertical, with rebounding boot support, allows markers to remain upright in the most demanding environments.

QUALIFIES AS AN FRA SUPPLEMENTAL SAFETY MEASURE

The FRA's regulation allows communities to implement safety measures in order to create quiet zones. A community may qualify for a quiet zone by closing crossings or protecting grade crossings with gates, flashing lights, and additional signage; plus one supplemental safety measure (SSM).

SSM categories include temporary closure of the crossing, four quadrant gates, converting streets to one-way, or use of medians with channelization devices.

Medians with channelization devices include markers with high intensity yellow sheeting mounted to raised curbs with reflective arcs. The QWICK KURB System is included and recognized under this category.

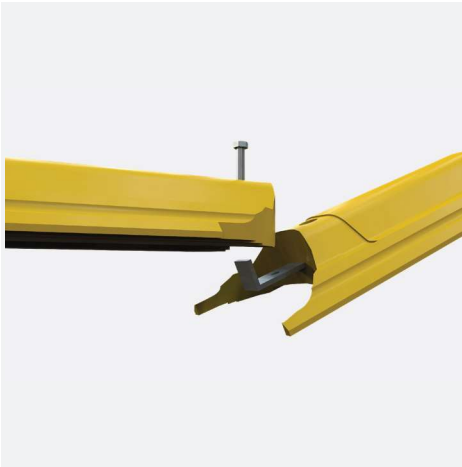
While SSMs are generally expensive and maintenance intensive, The QWICK KURB System is the exception.



Two 100 ft. sections of QWICK KURB Continuous Curb, can be installed in about three hours at a fraction of the cost of other SSMs, with little maintenance thereafter. Additional road work or crossing closures are not required to install the system.

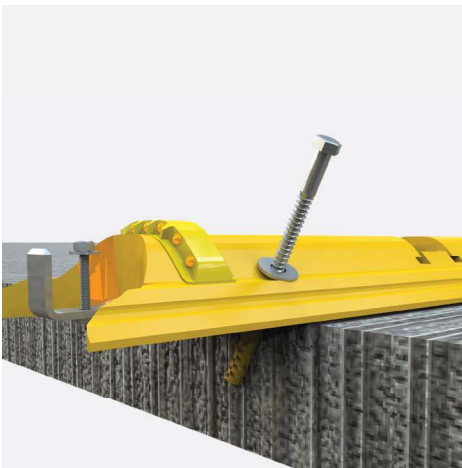
Crossings using the QWICK KURB System have proven effective in communities throughout the U.S. and Canada. Several installations are now over ten years old. No other mountable median has proven such durability and effectiveness at discouraging drive-around gate violations.

THE CHANNELIZER DESIGNED FOR ALL WEATHER PERFORMANCE



Interlocking Continuous Curb

Just like anchoring barrier wall, a secure connection between curbs is essential. Molding a heavy duty hook into the Continuous Longitudinal Channelizer strengthens the connection.



The Strongest Bond

The combination of a smart two-tier design that can exert downward pressure during a run over, a lateral connection similar to portable concrete barrier and anchors secure the QWICK KURB System to the roadway.

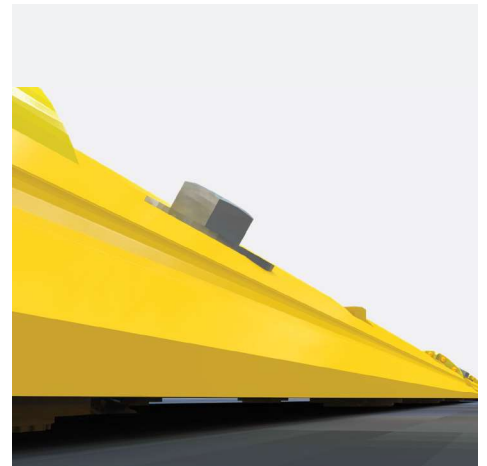
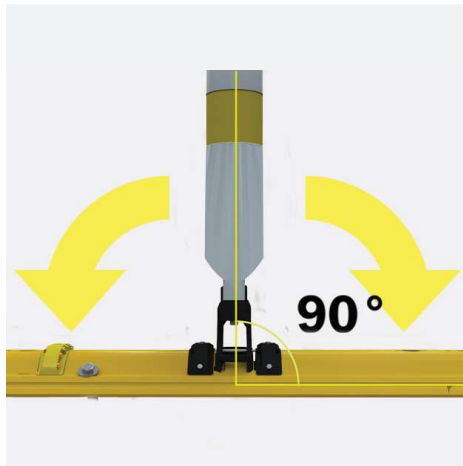
3.5 Inches High, No Vaulting

The unique two tier design of the QWICK KURB System allows the channelizing curb to be as tall as possible without vehicle vaulting.

Molded rubber feet on the bottom of the curb raise the system above the road surface to facilitate water run-off.

Reboundable Boot

QWICK KURB Panels connect to the curb base using the unique QWICK KURB two-part vertical rebounding flex boot support. This allows for installation of extra-tall 42 inch markers that can spring back to an upright position after an impact.



Grade crossing safety upgrades where the QWICK KURB System is installed have proven to reduce gate running by as much as 79%.

A mountable median with channelization is the most cost-effective Federal Railroad Administration Supplementary Safety Measure >>> The QWICK KURB System is the most durable mountable median channelizer available.



QWICK KURB®

CHANNELIZING SYSTEMS

The QWICK KURB® Continuous Curbing System is ideal for harsh environments such as grade crossing intersections where high ADT counts are likely. Formidable uprights on top of a raised continuous curb clearly define the intended travel path and increase motorist compliance while providing superior channelization in all weather conditions, even snow. The QWICK KURB Continuous Curb System meets the eligibility requirements based on MASH or NCHRP 350 criteria as a TL-3 Longitudinal Channelizer. The system can be installed fully anchored, semi-anchored or, in some applications, anchor-free.



QWICK KURB®, INC.

1916 US 41 South • Ruskin, FL 33570 • (813) 645-5072

www.qwickkurb.com

General details for QWICK KURB Systems are subject to change without notice to reflect improvements and upgrades. Always refer to the installation manual for details and cautions.

Additional information is available from QWICK KURB®, INC.

© QWICK KURB®, INC.

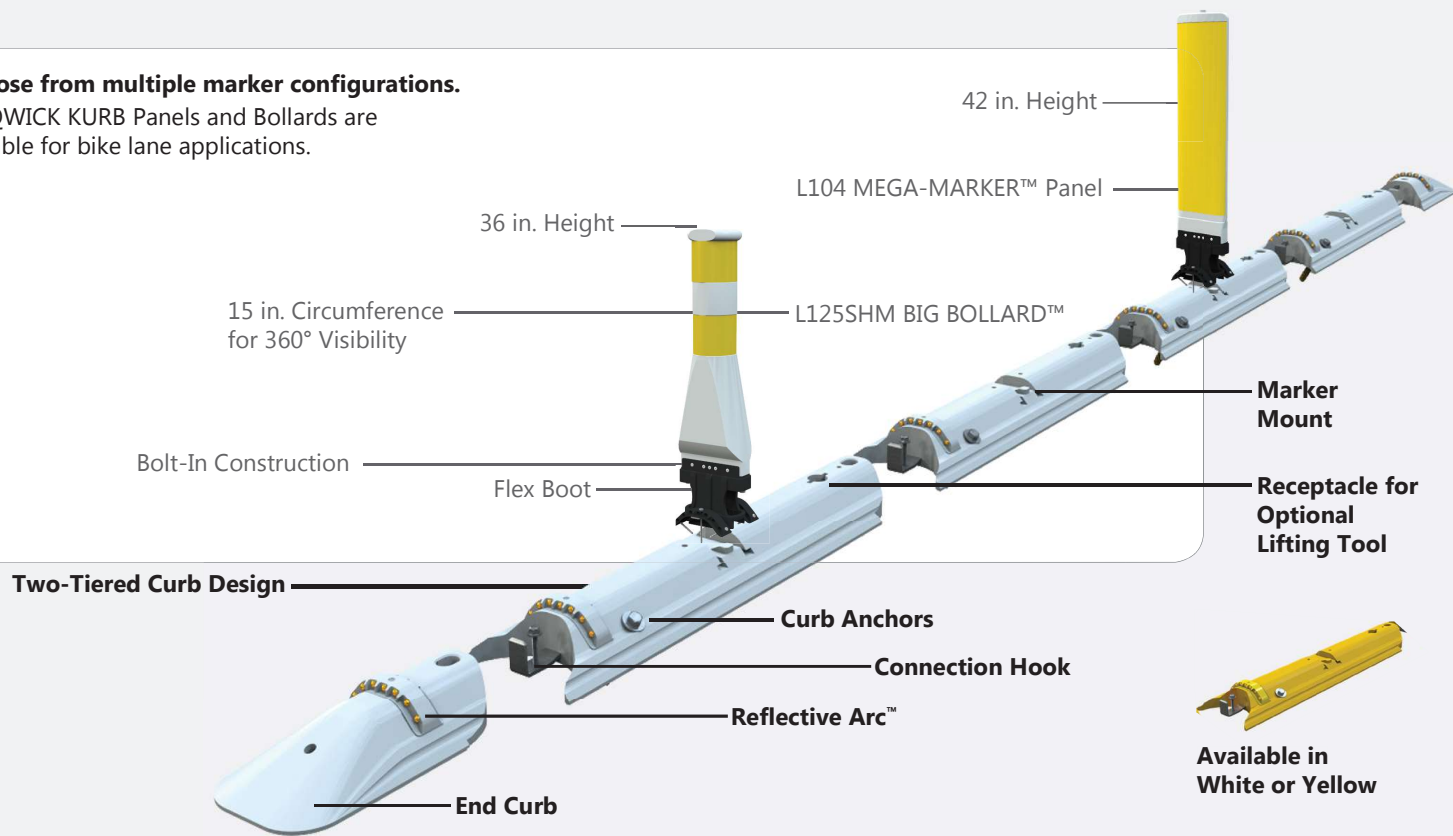


BIKE LANE CONTINUOUS CURBING AND CHANNELIZING SYSTEM

QWICK KURB®
CHANNELIZING SYSTEMS

Choose from multiple marker configurations.

All QWICK KURB Panels and Bollards are suitable for bike lane applications.



When the QWICK KURB continuous raised curb system is used to mark bike lanes, motorists are more discouraged from driving into restricted bicycle and pedestrian areas.



USED EXTENSIVELY IN THE HARSHTEST ENVIRONMENTS

QWICK KURB® Continuous Curbing with Panels or Bollards has been tested for over 20 years in all weather conditions. Panels can accept 224 square inches of reflective sheeting per side to achieve the highest level of night visibility. In addition, the unique two-part vertical panel with rebounding boot support allows markers to remain upright in the most demanding environments.



SYSTEM CAN WITHSTAND MULTIPLE IMPACTS

Each durable raised curbing element is designed to be anchored to the road surface and interlocked with other elements to create a permanent bond with the roadway. A heavy-duty hook is molded directly into the curb to further strengthen the system.

The two-tier profile is designed to help keep curbing stationary during run overs. In addition, continuous curbing is only 10 5/8" wide making it ideal for urban environments.



MAINTENANCE-FREE CONTEXT SENSITIVE DESIGN

QWICK KURB Continuous Curbing is designed to be installed year round in all climates. The durable design means maintenance is not required for regular use.

The QWICK KURB System optimizes safety for both bike riders and motorists while preserving the aesthetic of the surrounding environment.