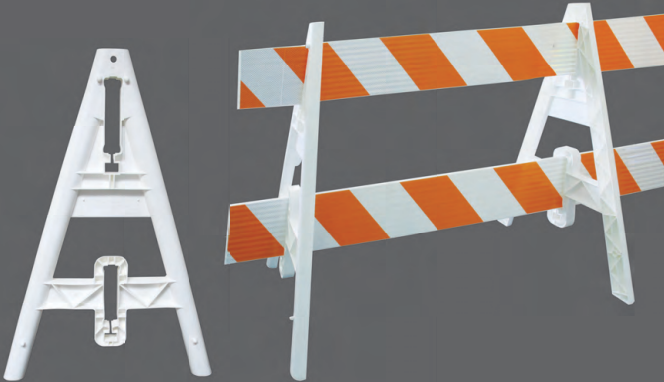


A-FRAME BARRICADES

Two Options:
Both great for crowd control
and road closures

OMNI™ A-FRAME BARRICADE



- Versatile, accepts many types of boards
 - Plasticade® I-Beam boards
 - Plasticade® 1" x 8" boards (Type III boards)
 - other plastic boards (I-Beams, thin rails, panels)
 - wood boards
- 20% heavier than Plasticade® A-Frame
 - solid wall design
- Customize nameplate with your name or logo
- Stacking lugs
 - make transportation and storage easy
- Flashing light mounting receptacle on leg
- Use with one board or two
- Sold in sets or as component parts

PLASTICADE® A-FRAME BARRICADE



- Accepts only Plasticade® I-Beam boards
- Molded hollow
 - may be weighed internally with dry sand
- Stacking lugs
 - make transportation and storage easy
- Flashing light mounting receptacle on leg
- Use with one board or two
- Sold in sets or as component parts



I-Beam Board

I-Beam Boards have a unique design that adds to the rigidity of the unit. The recessed area for sheeting helps to protect the sheeting from damage.



1" x 8" Board

1" x 8" Boards are a hollow core extruded design. Internal walls provide lightweight strength and durability.

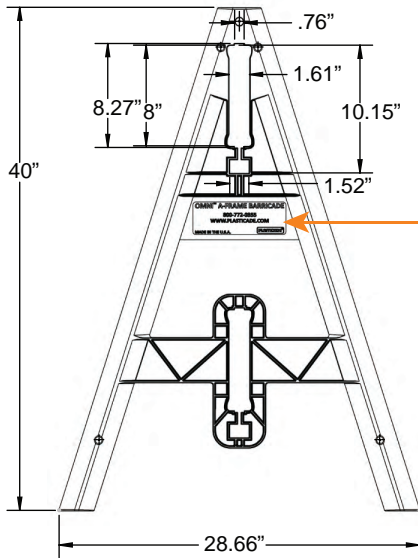
PLASTICADE®

www.plasticade.com

TF034

A-FRAME BARRICADES

OMNI™ A-FRAME BARRICADE

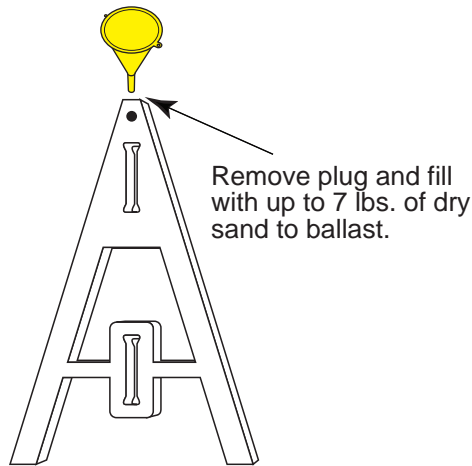
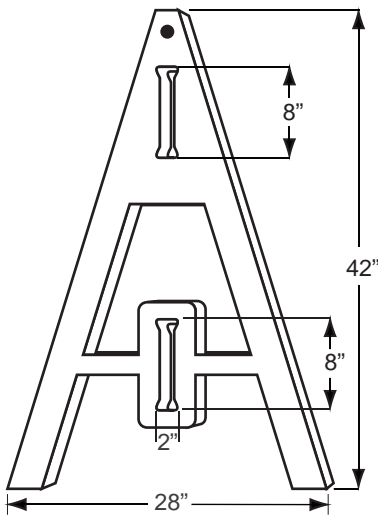


Customize the Omni™ A-Frame Leg with molded-in name or logo. Nameplate area is 7.38"W x 2.6"H

Omni™ Specs

Composition	High Density Polyethylene
Dimensions	40"H x 28.6"W
Color	White, custom colors available
Weight	6 lbs.
Available I-Beam Board Lengths	6' 8' 10'
Available 1" x 8" Board Lengths	4', 6', 8' 10', 12'

PLASTICADE® A-FRAME BARRICADE

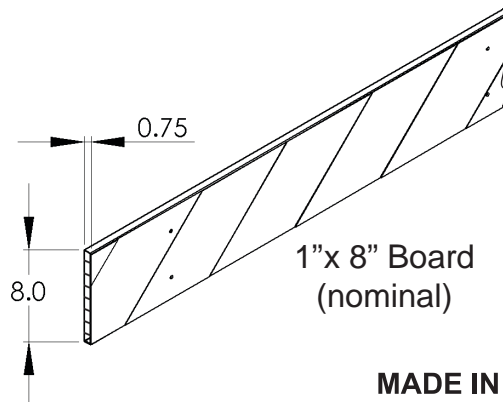
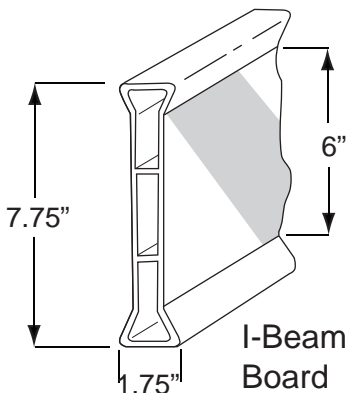


Plasticade® Specs

Composition	High Density Polyethylene
Dimensions	42"H x 28"W
Color	White
Weight	5 lbs.
Available I-Beam Board Lengths	6' 8' 10'

PLASTICADE®

7700 N. Austin Avenue
Skokie, IL 60077
phone (800) 772-0355
fax (847) 966-8074
www.plasticade.com



MADE IN THE USA